



CEC
LISTED

AN ENERGIZED ROOF

UPGRADE YOUR ROOF WITH DURABLE,
FRAMELESS SOLAR PANELS

WHO WE ARE

MERLIN® manufactures sustainable solar energy solutions for commercial, industrial and residential roofing, as well as transportation, portable and wearable applications. We believe that our unique solar energy solutions will make the world rethink what solar energy is capable of.

IS YOUR ELECTRICITY BILL SOARING HIGH?

Our solar panels can reduce, or even eliminate, your electricity bill with its enhanced energy output and efficiency. The simple snap-on application makes the installation process inexpensive and quick. Our extremely light construction can eliminate the need to make structural enhancements to existing roofs. The frameless, low-profile design gives your roof a superior look while maintaining its durability.

MERLIN® ADVANTAGES

- UL listed / IEC Approved / CEC listed
- High performance levels
- High Strength/Hurricane Resistant
- Stable reinforcement to the solar cell
- Reliability of c-Si solar cells
- Enhanced production in low / diffused light
- Frameless, low-profile design

BENEFITS OF SOLAR INTEGRATED ROOFING

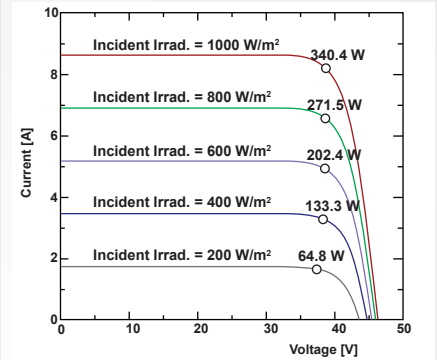
- Fast & easy snap-on application
- Low installation cost
- Maximized tax credit benefit
- Enhanced energy output
- Superior aesthetics
- High durability & reliability



TECHNICAL DATA

Electrical Characteristics (STC) ¹ MERLIN® PV Module Specs	Unit	320	325	330	335	340	345	350
Cell Type		Mono						
Number in series		72						
Rated Power (Pmax)	W	320	325	330	335	340	345	350
Voltage at Pmax (Vmp)	V	36.40	36.90	37.46	37.97	38.42	38.94	39.44
Current at Pmax (Imp)	A	8.80	8.82	8.83	8.84	8.85	8.87	8.88
Open-circuit Voltage (Voc)	V	44.30	44.85	45.38	45.89	46.13	46.30	46.50
Short-circuit Current (Isc)	A	9.09	9.11	9.13	9.15	9.17	9.27	9.34
Active Area Efficiency	%	18.19	18.48	18.76	19.05	19.33	19.61	19.90
Temperature Coefficient of Isc	%/°C	0.05						
Temperature Coefficient of Voc	%/°C	-0.33						
Temperature Coefficient of Pmax	%/°C	0.42						
Maximum series fuse rating	A	15						
Maximum system voltage	VDC	600						
Nominal Operating Cell Temperature (NOCT) ²	°C	46 +/-2						
Operating temperature	°C	-40 to +85						
Termination		Jbox with PV cable and polarize connectors						
1. STC standard test conditions: 1000W/m ² intensity, Air Mass 1.5, 25°C cell temperature. 2. The power tolerance is -0% / +3% W, at STC. The electrical characteristics are within ±10% unless otherwise specified.								

IV Curves PV Module BR72 - 340



Physical Characteristics

Units	mm / kg	in / lb
Length	1979	77 ¹⁵ / ₁₆
Width	995	39 ³ / ₁₆
Thickness*	30	1 ³ / ₁₆
Weight	23.36 kg	51 ¹ / ₂ lb

UL Standard 1703

IEC 61215/61730

Warranted upto 25 years

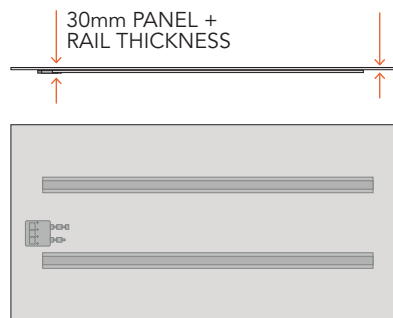
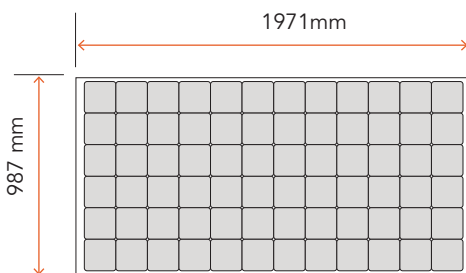
• Materials and workmanship 5 years

• Power output 25years

• 90% of nominal rated power for years 1-10

• 80% of nominal rated power for years 11-25

QUALIFICATIONS



Read more



© 2019 Merlin Solar Technologies, Inc.

For further details, contact: **MERLIN SOLAR TECHNOLOGIES, INC.**

5891 Rue Ferrari, San Jose, CA 95138 | Ph: (408) 321-8258

E-mail: sales@merlinsolar.com | www.merlinsolar.com



Distributed by: